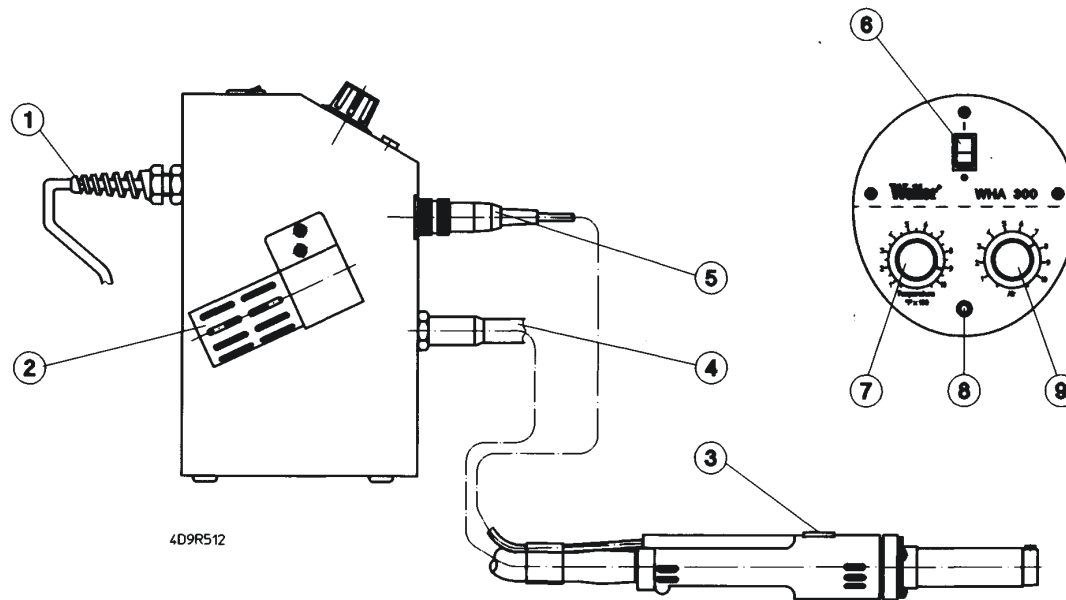


Weller

WHA 300

Table of contents	Page
1. Safety instructions	17
Warning notices	17
2. Description	18
Technical data	18
3. Commissioning	18
4. Operating guidelines	19
5. Accessories	19
6. Scope of supply	19



GB

1. Mains cable
2. Safety rest
3. Finger switch for hot gas pencil
4. Connector for hot gas pencil
5. Connector for finger switch (optional foot switch)
6. Mains switch
7. Temperature setting infinitely variable between 50°C and 550°C
8. Visual control check
9. Infinitely variable gas flow setting

1. Recommandations de sécurité

F

Le fabricant décline toute responsabilité en cas d'utilisation différente de celle qui est décrite dans ce mode d'emploi, tout comme en cas de modification de la part du client.

Ce mode d'emploi et les avertissements qu'il contient sont à lire attentivement et à conserver en évidence à proximité de l'appareil de soudage. Le non-respect des avertissements peut être source d'accidents et de blessures ou nuire à la santé.

La station de soudage à air chaud WHA 300 de WELLER répond à la déclaration de conformité CEE suivant les exigences de sécurité capitales des directives 89/336/CEE, 73/23/CEE et 89/392/CEE.

Avertissements

1. Maintenez de l'ordre à votre poste de travail.

Déposez toujours l'outil de soudage que vous n'utilisez pas sur son support original. Ne placez aucun objet inflammable à proximité de l'outil de soudage chaud.

2. Faites attention aux influences de l'environnement.

N'utilisez pas l'outil de soudage dans un milieu humide.

3. Protégez-vous contre les décharges électriques.

Évitez tout contact corporel avec des pièces mises à la terre, par ex. tuyaux, éléments de chauffage, fours ou réfrigérateurs.

4. Maintenez les enfants à distance.

Ne laissez personne approcher de l'outil ni toucher le câble. Maintenez toute personne étrangère éloignée de votre poste de travail.

5. Conservez votre outil de soudage dans un endroit sûr.

Les outils non utilisés doivent être placés dans un endroit sec, élevé ou fermé, hors de portée des enfants.

Après utilisation, déconnectez l'outil du secteur et de la pression.

6. Ne surchargez pas votre outil de soudage.

N'utilisez l'outil de soudage que sous la tension indiquée et sous la pression ou dans le domaine de pressions indiqué.

7. Servez-vous d'un outil de soudage adapté.

N'utilisez pas un outil de soudage trop faible pour vos travaux. N'utilisez pas l'appareil à des fins pour lesquelles il n'est pas prévu.

8. Portez des vêtements de travail adaptés.

Danger de brûlure au contact de la soudure. Portez des vêtements de protection en conséquence afin de vous protéger des brûlures.

9. Protégez vos yeux.

Mettez des lunettes de protection. Si vous travaillez avec des colles, veillez en particulier à respecter les avertissements du fabricant de colle. Protégez-vous contre les éclaboussures d'étain, danger de brûlure au contact de la soudure.

10. Prévoyez une aspiration pour les vapeurs de soudure.

Si un dispositif a été prévu pour le branchement d'une aspiration des vapeurs de soudure, veillez à ce qu'il soit branché et correctement utilisé.

11. N'utilisez pas le câble à des fins pour lesquelles il n'est pas prévu.

Ne prenez jamais l'outil de soudage par le câble. N'utilisez pas le câble pour retirer la fiche de la prise de courant. Protégez le câble de la chaleur, de l'huile et des arêtes vives.

12. Maintenez la pièce à souder bien en place.

Utilisez des dispositifs de serrage pour fixer la pièce à souder. Elle sera ainsi maintenue de façon plus sûre qu'à la main et vous aurez les deux mains libres pour la manipulation de l'outil de soudage.

13. Évitez de vous tenir de façon anormale.

Organisez correctement l'ergonomie de votre poste de travail. Évitez des erreurs dues à un mauvais positionnement. Utilisez toujours l'outil de soudage adapté.

14. Entretenez vos outils de soudage avec soin.

Gardez l'outil propre pour un travail meilleur et plus sûr. Suivez les consignes de maintenance et les remarques concernant le changement de panne. Contrôlez régulièrement tous les câbles et tuyaux raccordés.

Les réparations ne peuvent être effectuées que par un spécialiste agréé. N'utiliser que des pièces originales WELLER.

15. Avant d'ouvrir l'appareil, débrancher la prise.

1. Safety instructions



The manufacturer accepts no liability for usage other than that specified in the operating instructions, nor for any unauthorised modifications.

These operating instructions and the warning instructions they contain should be read carefully and kept in a clearly visible place adjacent to the soldering unit. Failure to adhere to warning instructions can cause accidents and injuries or be detrimental to health.

The WELLER WHA 300 hot air station complies with the EC certificate of conformity in accordance with the basic safety standards of guidelines 89/336/EEC, 73/23/EEC and 89/392/EEC.

Warning Notice

1. Keep your work area in proper order.

Always return the soldering tool to its original holder when not in use. Do not bring combustible materials near the hot soldering tools.

2. Take care for the surroundings.

Don't use the soldering tool in a moist or wet environment.

3. Protect yourself against electrical shocks.

Avoid touching grounded parts with your body, e.g. pipes, heating radiators, stoves, refrigerators.

4. Keep children at a distance.

Don't allow other persons to touch or disturb the soldering tool or cord. Keep other persons away from your work area.

5. Store your soldering tool in an appropriate place

Unused soldering tools should be stored in a dry location which is out of the reach of children (some place high or in a locked cabinet). Switch off all unused soldering tools.

6. Do not overload your soldering tool.

Use the soldering tool only with the specified voltage or specified pressure and pressure range.

7. Use the appropriate soldering tool.

Don't use a soldering tool whose performance is not adequate for your work. Never use the soldering tool for purposes for which it was not designed.

8. Wear suitable work cloths.

There is a danger of burning yourself with liquid solder. Wear the corresponding protective clothing in order to protect yourself against burns.

9. Protect your eyes.

Wear protective eyewear. When working with bonding agents, it is particularly important to observe the warning notices of the bonding agent manufacturer. Protect yourself against splattering solder. There is a danger of burning yourself with liquid solder.

10. Use a soldering vapour suction device

If devices for solder vapour suction are available, ensure that these are connected and correctly used.

11. Do not use the cord for purposes for which it is not designed.

Never carry the soldering tool by the cord. Don't use the cord to pull the power plug from the socket. Protect the cord from heat, oil, and sharp edges.

12. Protect the work piece.

Use clamping devices to hold the work piece in place. This is more secure than using your hands, and leaves both hands free to work with the soldering tool.

13. Avoid abnormal posture.

Set-up your work place with proper ergonomics. Avoid bad posture when working. Always use the suitable soldering tool.

14. Take care of your soldering tool.

Keep the soldering tool clean for better and safer work. Follow the maintenance instructions and the notices concerning changing the soldering tips. Regularly inspect all connected cords and hoses. Repairs should only be carried out by a qualified technician. Use only original WELLER replacement parts.

15. Remove the power plug from the socket before opening the unit.

16. Remove all maintenance tools.

Before switching on the unit, check that all maintenance tools have been removed from the unit.

17. Avoid unexpected operation.

Make sure that the mains switch is turned off when inserting the plug into the socket or connecting to mains. Don't hold a soldering tool which is connected to a mains supply while touching the mains switch.

18. Pay attention.

Be careful of what you do. Work with caution. Don't use the soldering tool if you are not concentrated on your work.

19. Inspect the soldering tool for any damage.

Before further use of the soldering tool, safety devices or slightly damaged parts must be carefully checked for error-free and intended operation. Inspect moving parts for error-free operation and that they don't bind, or whether any parts are damaged. All parts must be properly mounted and all requirements fulfilled for guaranteed error-free operation of the soldering tool. Damaged safety devices and parts must be repaired or replaced by a qualified technician, so long as nothing else is indicated in the Operation Manual.

20. Attention

Use only accessories or attachments which are listed in the accessories list of the Operation Manual. Use only WELLER accessories or attachments on original WELLER equipment. Use of other tools and other accessories can lead to a danger of injury.

21. Repairs to your soldering tool should be carried out by qualified technician

This soldering tool is in accordance with the relevant safety regulations. Repairs should only be carried out by a qualified electrician using original WELLER replacement parts. Failure to do so can lead to accidents for the operator.

22. Do not work on electrically live parts.

The grip of antistatic designed soldering tools is conductive.

23. Applications with other WELLER equipment

If the soldering tool is to be used together with other WELLER equipment and attachments, also observe the warning notices given in the corresponding Operation Manual.

24. Observe the valid safety regulations for your work place.

2. Description

The WHA 300 hot gas station was developed for gentle soldering tasks on large-surface SM components with large numbers of pins. The temperature of the hot gas is controlled electronically and is infinitely variable between 50°C and 550°C. 230 V (120 V) mains voltage is required to operate the unit. The gas flow is infinitely variable electronically within the range of approx. 10-50 l/min and is generated by a turbine. The hot air is activated using a finger switch or optional foot switch. The heating element is potential-free and all-insulated.

Technical Data

Dimensions:	ø 130 mm, height 220 mm
Mains voltage:	230 V (120 V)
Power consumption:	800 W (820 W)
Hot gas pencil output:	700 W (730 W)
Fuse:	T 4,0A (T 10A)
Temperature control:	Infinitely variable between 50°C and 550°C (100°F-1000°F) Control accuracy: ± 30°C
Flow control:	Infinitely variable between 10-50 l/min

3. Commissioning

Place the hot gas pencil in the safety rest. Check whether the mains voltage is consistent with the information on the type plate. If the mains voltage is correct, connect the unit to the mains.

Set the desired temperature on the rotary potentiometer (8) and the gas flow on the rotary potentiometer (7) and switch on the unit at the mains switch (8).

Warning: Do not point the hot gas pencil at people or flammable objects.

The heating and standby function with reduced air quantity are activated when the green LED (4) is flashing.

The set gas flow is activated after operating the finger switch. Heating-up timer of the nozzle depends essentially on the size of the nozzle and the gas flow.

4. Operating guidelines

Changing the nozzles

The hot gas nozzles are fixed to the heating element with an attachment screw.

5. Accessories

For nozzle range see page 38 - 43.

5 15 049 99	Nozzle changer
5 15 048 99	Multiple rest for six nozzles

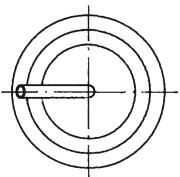
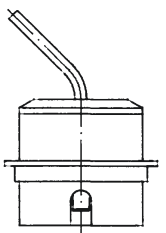
6. Scope of supply

WHA 300 control unit with hot gas bit and safety rest

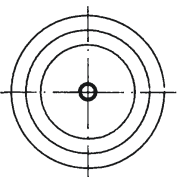
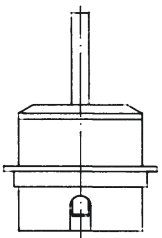
1 bag with: 3 cheese head screws hexagon socket M3X5 hexagon socket

Operating instructions

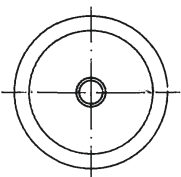
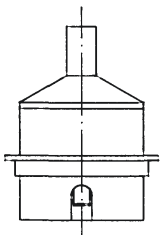
Subject to technical change without notice!



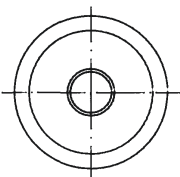
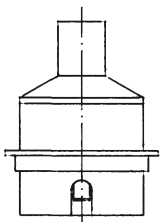
NR02
 $\phi 1,7 \times 45^\circ$
5 87 368 82



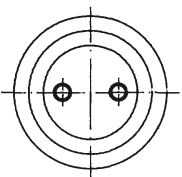
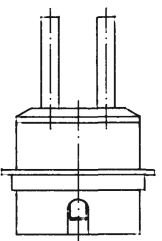
NR04
 $\phi 2,5$
5 87 368 81



NR05
 $\phi 4$
5 87 368 67

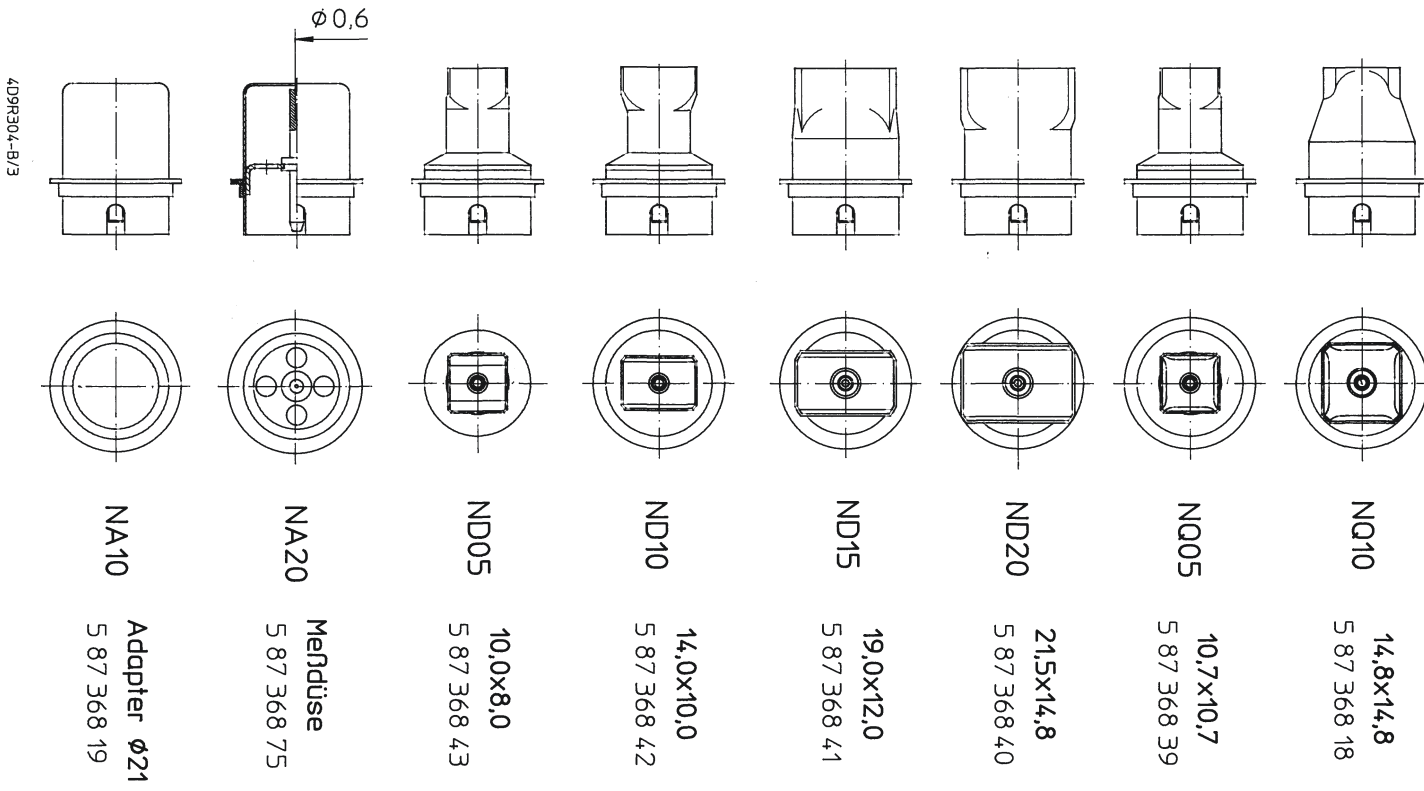


NR10
 $\phi 7$
5 87 368 70

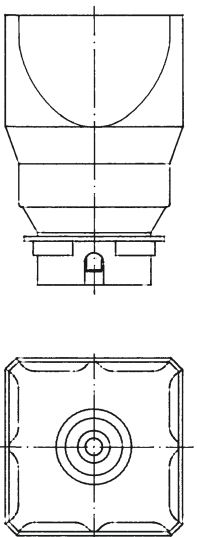
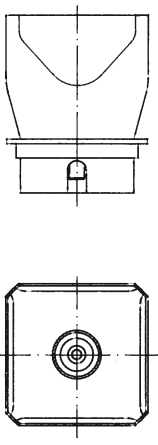
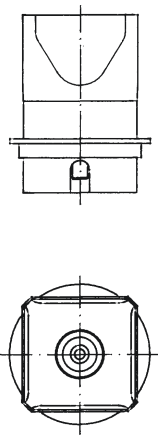
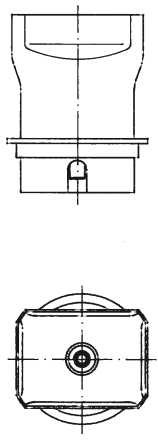
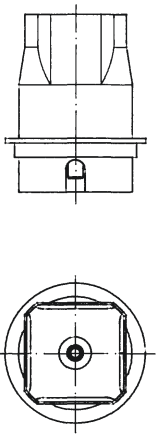
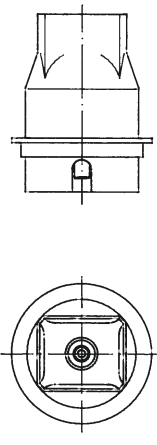
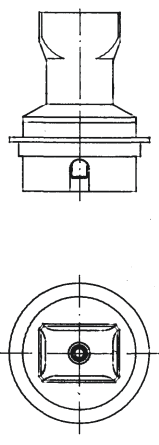


DR05
 $\phi 2,5 \times 9,5$
5 87 368 83

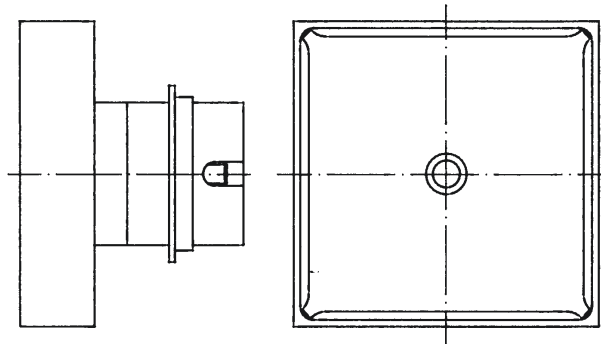
4D9R304-C/5



18 07 96

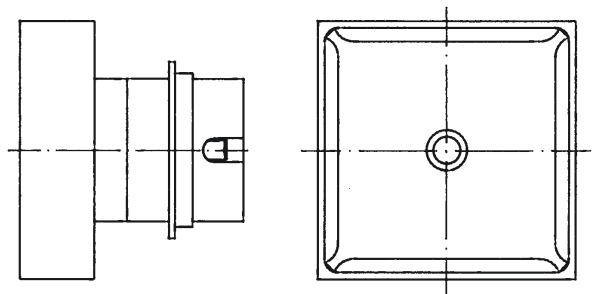
	NQ45	31,3x31,3 5 87 368 33
	NQ40	26,0x26,0 5 87 368 04
	NQ35	20,5x20,5 5 87 368 07
	NQ30	17,5x23,5 5 87 368 11
	NQ25	18,0x18,0 5 87 368 14
	NQ20	15,5x13,0 5 87 368 37
	NQ15	14,0x10,0 5 87 368 38

409R304-A-2



NQ55

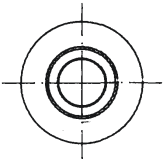
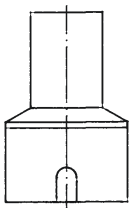
43,0x43,0
5 87 368 90



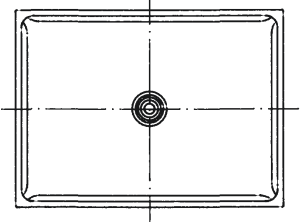
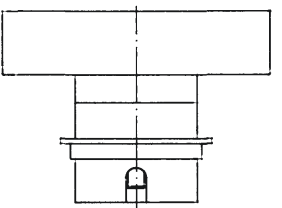
NQ50

36,0x36,0
5 87 368 91

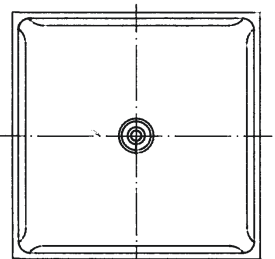
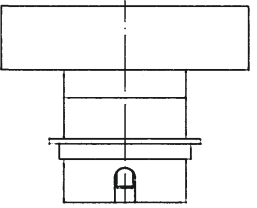
4D9R304-E



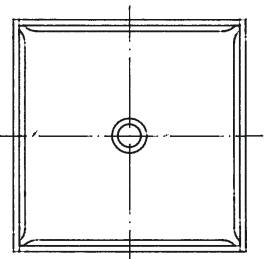
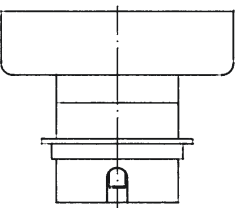
SK0413 $\phi 11,5$



SK0417 44,0x32,0
5 87 368 58

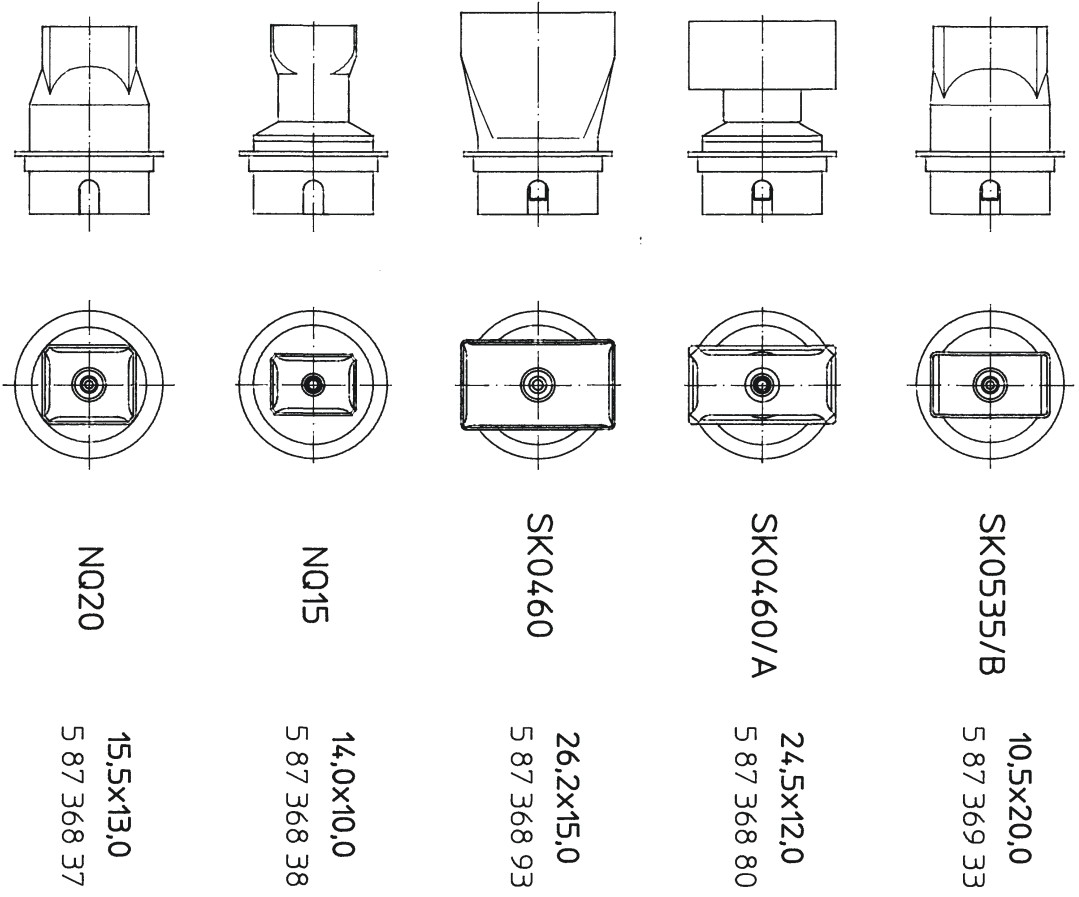


SK0490 40,0x40,0
5 87 368 73



SK0419 38,0x38,0
5 87 368 57

409R304-D-1



409R304-F