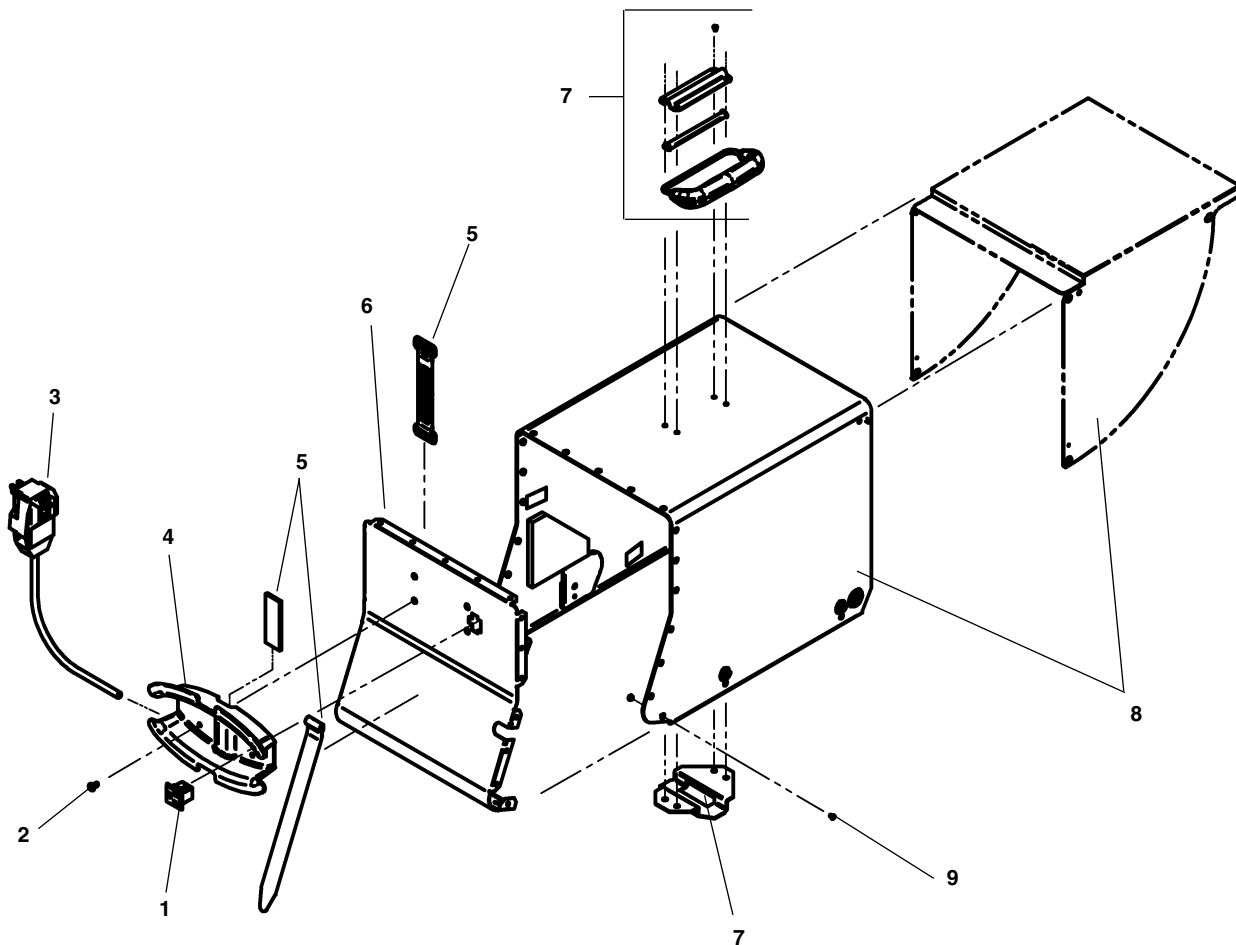


**NOTE: Order parts by Catalog Number only.  
 DO NOT order by Reference Number.**

Ref. No.	Catalog No.	Description
1	10203	Monitor+VCR Housing Assembly (B&W)
	10208	Monitor+VCR Housing Assembly (Color)
	25248	LCD Monitor/DVDR Housing Assembly
2	14963	Top Foam Packing (Monitor/VCR)
	25253	Top Foam Packing (LCD/DVDR)
3	14968	Side Foam Packing
4	91587	Left Cover Block
	91592	Right Cover Block (Not Shown)
5	91612	Hood Retaining Washer (2)
6	91622	Pivot Screw (2)
7	91607	Hood Retaining Screw (2)
8	91617	Sun Hood O-Ring (2)
9	91602	Sun Hood Spring (Monitor/VCR) (2)
	25268	Sun Hood Spring (LCD Monitor/DVDR) (2)
10	91597	Pivot Shoulder Washer (2)
11	16843	Hex Head Screw (2)
12	14913	Screw (4)
13	14018	Push Button & Spring Assembly (2)
14	14983	Right Button Block Assembly
15	14978	Left Button Block Assembly

NOTE: All listed parts compatible with both Monitor/VCR & LCD/DVDR unless specifically described as belonging to particular system

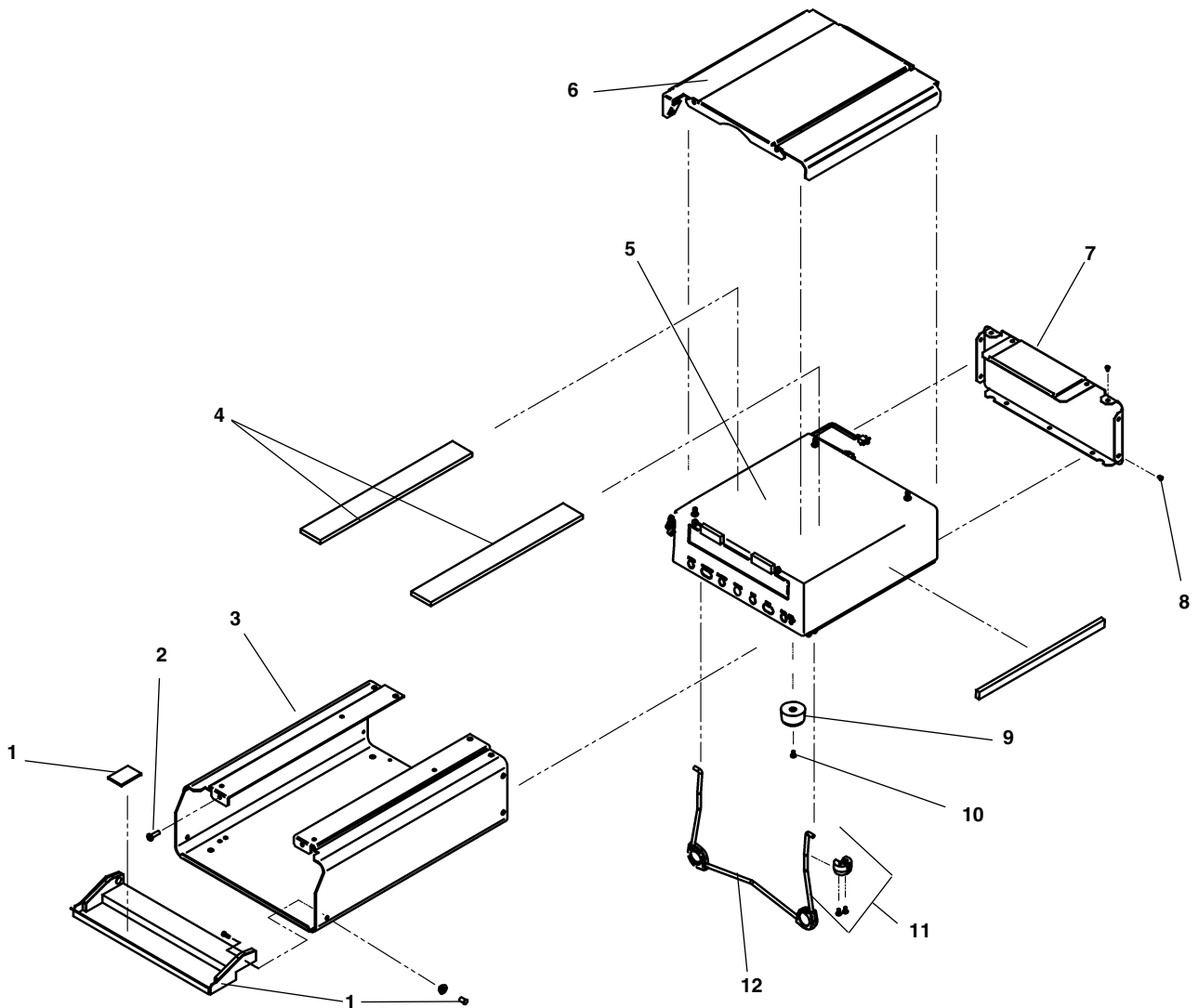


**NOTE: Order parts by Catalog Number only.  
DO NOT order by Reference Number.**

Ref. No.	Catalog No.	Description
1	87212	Outlet Only (EIA)
	87217	Outlet Only (CCIR)
2	16848	Screw (4)
3	71637	GFCI Cord (115V)
	87222	GFCI Cord (230V)
4	14943	Cord Wrap
5	14948	Cord Tie Strap Assembly
6	24268	Rear Monitor+VCR Cover (B&W)
	14938	Rear Monitor+VCR Cover (Color) (Also F/LCD/DVDR)
7	14838	Handle Assembly
8	10203	Monitor+VCR Housing Assembly (B&W)
	10208	Monitor+VCR Housing Assembly (Color)
	25248	LCD Monitor/DVDR Housing Assembly
10	14913	Screw (23)

**Following Item Not Shown:**  
21843 Strain Relief w/Mounting Plate

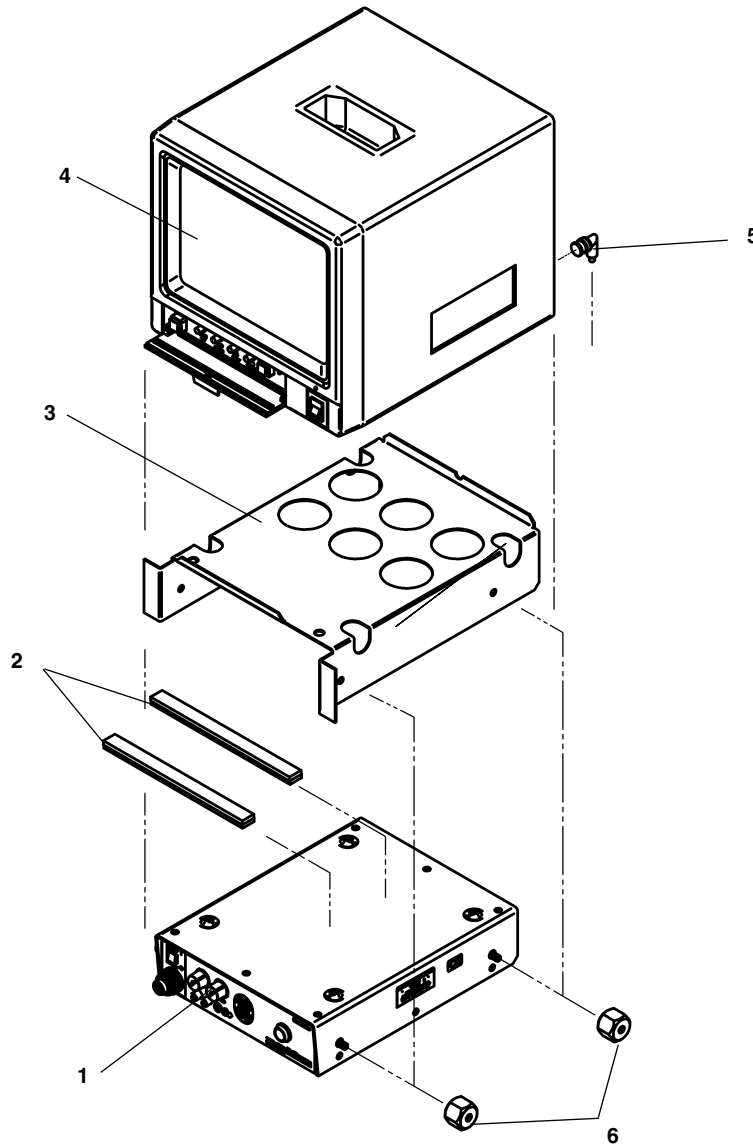
NOTE: All listed parts compatible with both Monitor/VCR & LCD/DVDR unless specifically described as belonging to particular system



**NOTE: Order parts by Catalog Number only.  
DO NOT order by Reference Number.**

Ref. No.	Catalog No.	Description	Ref. No.	Catalog No.	Description
1	14843	VCR Door Assembly	6	10898	VCR Bracket Assembly
	25273	DVDR Door Assembly		25228	DVDR Bracket Assembly (115V)
2	14848	Screw (2)		25233	DVDR Bracket Assembly (230V)
3	14853	VCR Shell Assembly	7	16833	VCR Backplate
	25223	DVDR Shell Assembly		25238	DVDR Backplate
4	14928	VCR Top Foam	8	14913	Screw (11)
	25288	DVDR Top/Side Foam (115V)	9	14918	Support Leg (4)
	25318	DVDR Top/Side Foam (230V)	10	14923	Screw (4)
5	76857	VCR (115V) (Black, Type 1)	11	14878	Kickstand Retainer Assembly
	23198	VCR (115V) Gray, Type 2)	12	76947	Kickstand Assembly
	76862	VCR (230V)			
	25328	DVDR Only (115V)			
	25333	DVDR Only (230V)			

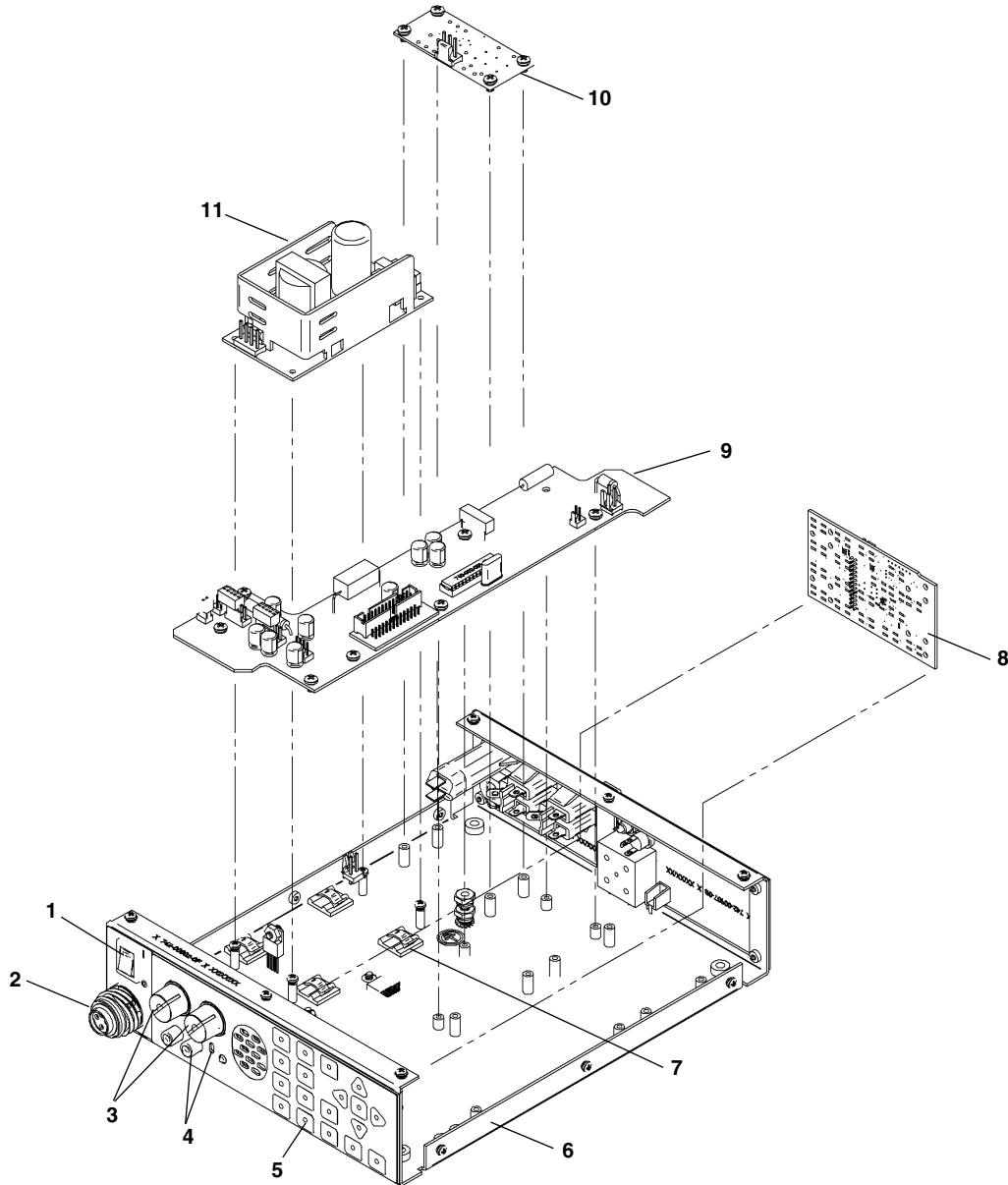
NOTE: All listed parts compatible with both Monitor/VCR & LCD/DVDR unless specifically described as belonging to particular system



**NOTE: Order parts by Catalog Number only.  
DO NOT order by Reference Number.**

Ref. No.	Catalog No.	Description
1	87252	Power Pack 115V (Monitor/VCR)
	87257	Power Pack 230V (Monitor/VCR)
	25128	Power Pack 115V (LCD/DVDR)
	25193	Power Pack 230V (LCD/DVDR)
2	14933	Foam (Monitor/VCR)
	25298	Foam (LCD/DVDR)
3	14958	Power Pack Cover (Color Syst Only)
4	76837	Monitor Only (B&W) 115V
	76842	Monitor Only (B&W) 230V
	76847	Monitor Only (Color) 115V
	76852	Monitor Only (Color) 230V
	25178	LCD Only (LCD/DVDR)
5	14953	90 Degree Adapter & Cable (Monitor/VCR Only)
	25258	SCART Cable (230V LCD/DVDR Only, Not Shown)
6	16838	Spacer (Color Systems Only) (4)

**NOTE: All listed parts compatible with both Monitor/VCR & LCD/DVDR unless specifically described as belonging to particular system**



**NOTE: Order parts by Catalog Number only.  
DO NOT order by Reference Number.**

Ref. No.	Catalog No.	Description	Ref. No.	Catalog No.	Description
	25128	DVDR Power Pack (115V)	8	25368	Keypad Circuit Board Assembly (LCD/DVDR Only)
	25193	DVDR Power Pack (230V)	9	25363	Circuit Board Asm (L Board, LCD/DVDR Only)
	87252	Monitor/VCR Power Pack (115V)		87167	Circuit Board Asm (L Board, Monitor/VCR Only)
	87257	Monitor/VCR Power Pack (230V)	10	87177	Power Protection Board Asm
1	86052	Power Switch Assembly	11	87172	Power Board Asm
2	77307	Bulkhead Connector		86062	Circuit Breaker 15 Amp (115V) (Not Shown)
3	87152	Knob w/Set Screw (2)		86067	Circuit Breaker 6 Amp (230V) (Not Shown)
	87157	Dimmer Control Switch (Yellow) Not Shown		25373	IDC Cable, 26 Pin 6" (Not Shown LCD/DVDR Only)
	87162	Volume Control Switch (Red) Not Shown		71637	GFCI (115V)
4	86092	Speaker/Microphone Jack Asm		87222	GFCI (230V)
5	25208	Keypad (LCD/DVDR Only)			
6	87237	Power Pack Case Bottom			
	87232	Power Pack Top Cover (Not Shown)			
7	87247	Adhesive Wire Clip			

NOTE: All listed parts compatible with both Monitor/VCR & LCD/DVDR unless specifically described as belonging to particular system