

AC/DC Current Probes PR620/630 and PR1520/1530

- High performance, large jaw AC/DC current probes designed for use with multimeters and oscilloscopes
- High accuracy current measurement to 1% of reading from 0.5A to 1500A RMS
- Four products:

PR630/620	60/600A,	jaw size 35mm
PR1530/1520	150/1500A,	jaw size 50mm
- Safety conformance to EN 610101-2-032 Cat III 600V
- Pushbutton automatic DC A zero
- Low susceptibility to external conductors
- Low DC remanance for improved resolution and high overload capability (10,000A)
- Separate battery compartment
- Selectable auto power off or continuous operation for logging applications
- Flashing Power-on LED indicates low battery condition

Multimeter probes – PR620/1520

- Integral 1.5m silicon output cable terminated with right angled shrouded 4mm plugs

Oscilloscope probes – PR630/1530

- Low phase shift and increased bandwidth up to 20kHz for power measurement applications
- High noise immunity - ideal for use on inverters, switch mode power supplies, industrial controllers and automotive diagnostics
- Integral 2m lead terminated with BNC plug



Description

A range of high performance AC/DC current probes from LEM for use with oscilloscopes, multimeters and recording equipment. The design conforms to EN 61010-1 safety standards and allows non-intrusive measurement of current from 0.5A to 2100A DC/AC peak, to an accuracy of $\pm 1\%$.

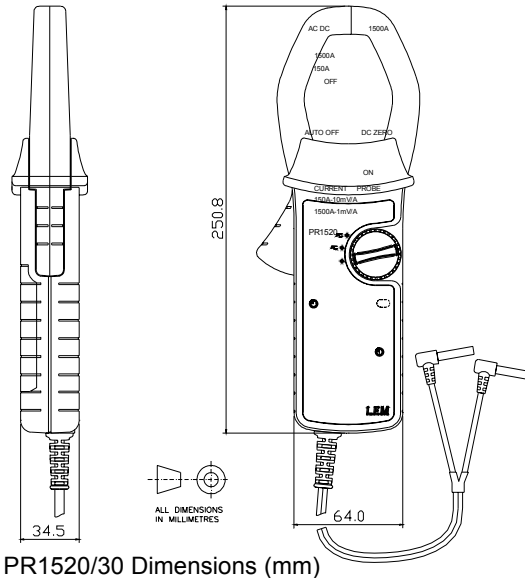
Utilising Hall Effect technology to provide a broad frequency response, the probe range will accurately measure AC, DC and complex waveforms. All probes give a voltage output directly proportional to the measured current which is compatible with a wide range of measuring instruments.

Applications

The probes can accurately measure currents up to 600A rms (PR630/620) and 1500A rms (PR1530/1520) over a broad bandwidth (PR630/1530 DC to 20Hz). These features make the probes powerful tools for use with inverters, switch mode power supplies, industrial controllers, automotive diagnostics and other applications requiring accurate isolated current measurement.

Specifications

	PR620/630	PR1520/1530
Ranges	60/600A rms	150/1500A rms
Maximum Conductor Size	35mm	50mm
Output	10mV/A (60A/150A) 1mV/A (600/1500A)	
Accuracy	±1% of rdg ±100mA ±1% of rdg ±500mA	(60A/150A) (600A/1500A)
Resolution	±100mA	
Frequency Range	DC to 20kHz (PR630/1530) DC to 10kHz (PR620/1520)	
Phase shift	< ± 2° (below 1kHz)	
Load impedance	> 10kΩ and <100pF	
Operating Temperature	-10 to +60 °C	
Battery life	50 hrs	
Working Voltage	600V Cat III input + output	



PR1520/30 Dimensions (mm)

LEM

LEM offers a comprehensive range of electrical test products to ensure the safe and efficient operation of electrical equipment and installations. Other products from the LEM group include systems and analysers for power quality applications and transducers for current and voltage measurement. LEM provides complete measurement solutions in current, voltage and power quality.

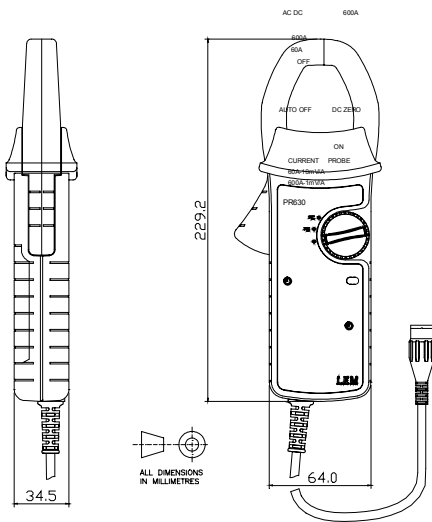
Safety Standards

BSEN61010-1: 1993 and Amendment A2: July 1995
BSEN61010-2-032: 1995
BSEN61010-2-031: 1995

600 V_{RMS}, Category III, Pollution Degree 2

Use of the probe on **uninsulated conductors** is limited to 600 V AC_{RMS} or DC and frequencies below 1 kHz.

EN61326: 1998
FCC Part 15 Class B



PR620/30 Dimensions (mm)

Designation	Order no.
PR620 – AC/DC Multimeter probe	60.95.52.000.0
PR1520 – AC/DC Multimeter probe	60.95.65.000.0
PR630 – AC/DC Oscilloscope probe	60.95.52.100.0
PR1530 – AC/DC Oscilloscope probe	60.95.65.100.0



Printed in Austria
Technical modifications reserved
Publication A10709E