

P1000

Desktop / Handheld Serial Printer

Features

- Compact Serial Printer (Dot Matrix) for Field Use
- Uses Standard 2.25" Plain Paper Roll
- 24 or 40 Column Printing
- Standard Epson™ Ribbon
- Internal 2KB Buffer
- RS232 With Selectable Baud Rate
- Will Operate for 2 Hours on Internal Batteries for Hand Held Applications

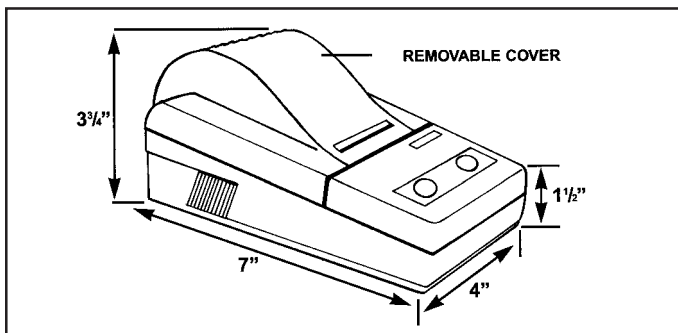
Applications:

- Logging data from KEP instruments
- Remote messages printing
- Real-time-clock (optional) for time and date stamp
- Plain paper for long lasting record keeping

Description:

The P1000 printer is a top quality, impact dot matrix micro printer. It is small, light weight, and low in cost, but extremely powerful in performance. This model is portable and designed for applications where regular desktop printers are unnecessary and space is limited. The P1000 is ideal for many uses such as logging data from KEP instruments, direct recording measurements from digital hand tools or electronic scales, remote message printing and more. It is an excellent service aid permitting print outs of setup **information** and helps with troubleshooting problems in the field.

Dimensions:



Specifications:

- Character Types:** 448 defined characters include:
96 standard ASCII characters
Math symbols
Printing symbols
Block graphic characters
32 user defined characters
- Print Method:** Impact Dot Matrix
- Character:** Standard characters 5x7 dot matrix
compositions:
Block graphic char. 6x8 dot matrix
User definable char. 6x8 dot matrix
- Dimension:** 7" x 4" x 3.25"
- Baud Rate:** Selectable baud rate & parity setting by key combinations (1200,2400,4800,9600)
- Print Speed:** 40 lines per minute
- Control Commands:** 35 codes, IBM/EPSON
- Input Buffer:** 2k bytes (expandable to 4k)
- Interface:** RS-232C, 25 pin D-SUB, RS connector
- Power:** 7.5 volt DC input, max. current 750mA with Internal Battery Pack
110V AC/DC to 7.5V DC adapter supplied.
- Paper:** Plain adding machine type paper roll, internal mounting up to 130'x2.25" size roll
- Ink Ribbon:** Porelon ERC 09 or equivalent
- Options:** 220V AC/DC adapter (spare)
12VDC adapter
Real Time Clock for time and date stamp at command

Ordering Information

EXAMPLE	P1000	1	C
Series	P1000 Printer		
Operating Voltage	1 = 110V AC adaptor 2 = 230V AC adaptor 3 = 12V DC power cord		
Options	C = Real Time Clock (not required for ST1, ST1LE, ST2, LT2)		
Accessories	P1AR = Ink Ribbon P1AA230 = 230V Adapter (spare) P1AA110 = 110V Adapter (spare) P1AC25M9MC = 6', Printer cable for ST1 & ST2 P1AC25M9FC = 6', Printer cable for MRT & INT69 P1AC25M25MS = 6', Printer cable for all 'trolls Other cables available on request		