

# E200

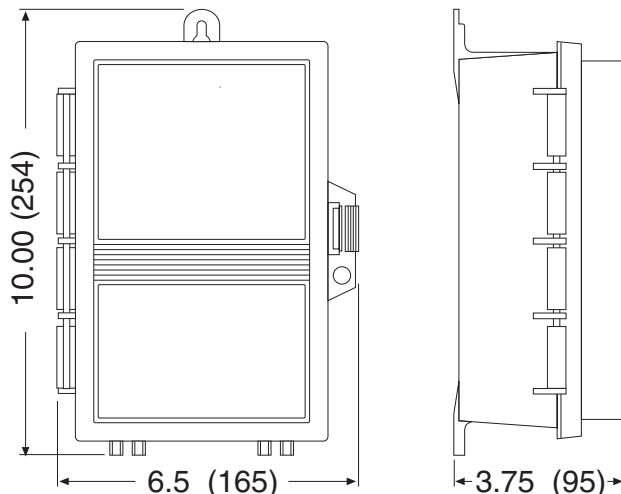
## Features

- Low Cost
- Compatible with all Standard 1/32 DIN Products
- NEMA 3R (raintight) Enclosure
- Quick-Release Latches with Security Lock Provision
- Light Weight

## E200 Plastic Outdoor Enclosure

The E200 is a Plastic NEMA 3R raintight enclosure with hinged door and latch. It offers provisions for mounting up to four of ANY KEP 1/32 DIN sized units. The E200 also offers five combination 1/2"-3/4" knockouts: In bottom, sides and back for easy wiring and conduit connections. Exterior Size: 6.5" x 10" x 3.75" deep. Interior Size: 4.75" x 7.75" x 3" deep. Dark grey plastic finish.

## Dimensions:



## Outdoor Enclosures For Units in 1/32 DIN Cases



Compatible with all Standard 1/32 DIN Products Including:

- KAL D Series
- KAL D Time Series
- 130K -136K Series
- 520K -530K Series

## Ordering Information

| Part Number | Description                   |
|-------------|-------------------------------|
| E200-0      | E200 Enclosure with no cutout |
| E200-1      | E200 Enclosure with 1 cutout  |
| E200-2      | E200 Enclosure with 2 cutouts |
| E200-3      | E200 Enclosure with 3 cutouts |
| E200-4      | E200 Enclosure with 4 cutouts |