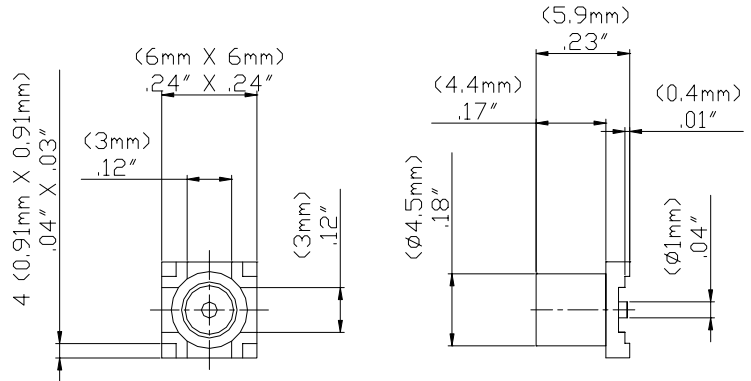


**Model 73018  
MCX JACK STRAIGHT SURFACE MOUNT RECEPTACLE**



Model 73018 MCX JACK STRAIGHT SURFACE MOUNT RECEPTACLE

Snap-on coupling and miniature size for fast connect and disconnect where space is limited.

**Features**

- DC – 3 GHz bandwidth.
- 30% smaller than SMB connectors.
- Meets CECC 22220.
- Perfect for applications where space, weight, performance and ease of assembly are required.
- Precision machined and gold-plated for low loss.

**Materials**

- Body is machined brass with gold plating.
- Center contacts – Plug is gold plated brass and Jack is gold plated beryllium copper.
- High quality PTFE insulators.
- Crimp Ferrules are gold or nickel plated copper.

**Specifications**

Impedance	50 Ω
Frequency Range	DC - 3 GHz
VSWR	1.35 max.
Working Voltage	170 Vrms max.
Dielectric withstand voltage	750 Vrms
Center / Outer contact resistance	5 / 2.5 mΩ
Number of insertions	500 cycles min.
Insulation resistance	1,000 MΩ min.
Temperature Range	-55° C to 155° C, -67° F to 311° F

**Ordering Information**

Model: 73018  
Description: MCX JACK STRAIGHT SURFACE MOUNT RECEPTACLE



99 Washington Street  
Melrose, MA 02176  
Phone 781-665-1400  
Toll Free 1-800-517-8431

1-800-517-8431

- ▶ Visit us at [www.TestEquipmentDepot.com](http://www.TestEquipmentDepot.com)
- ▶ Back to the Pomona 73018 Product Page

All dimensions are in inches. Tolerances (except noted): .xx = ±.02" (.51 mm), .xxx = ±.005" (.127 mm). All specifications are to the latest revisions. Specifications are subject to change without notice. Registered trademarks are the property of their respective companies.  
D2003384 REV 001