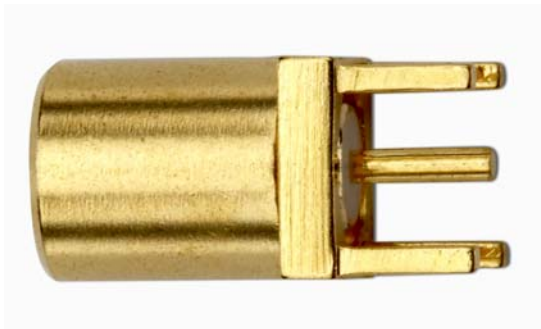
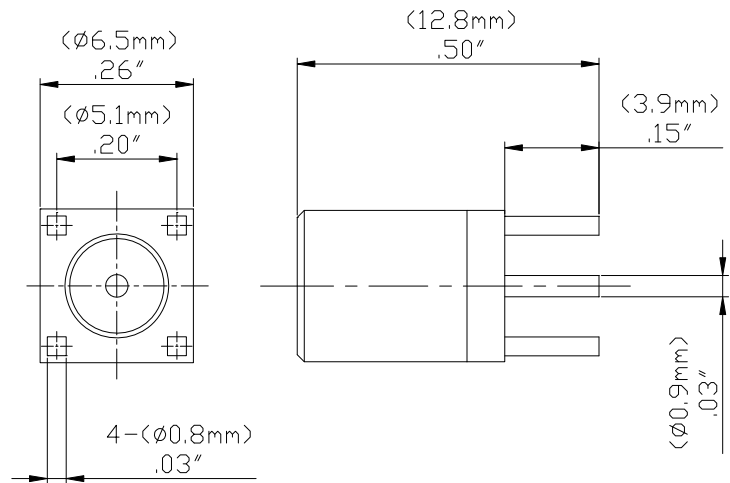


**Model 72995**  
**SMB PLUG STRAIGHT PCB RECEPTACLE**



Model 72995 SMB PLUG STRAIGHT PCB RECEPTACLE



Snap-on coupling and small size for fast connect and disconnect.

**Features**

- DC - 3 GHz bandwidth.
- Meets MIL-C-39012, IEC 60169-1Q, BS9210N0007, NFC93650, CECC 22130.
- Small size and durability for RF coaxial applications.
- Precision machined and gold-plated for low loss.

**Materials**

- Body is machined brass with gold plating.
- Center contacts – Plug is gold plated brass and Jack is gold plated beryllium copper.
- High quality PTFE insulators.
- Crimp Ferrules are nickel plated copper.
- Silicone rubber gaskets.

**Ordering Information**

Model: 72995  
Description: SMB PLUG STRAIGHT PCB RECEPTACLE

**Specifications**

Impedance	50 Ω
Frequency Range	DC - 3 GHz
VSWR	1.3 max
Working Voltage	250 Vrms max.
Dielectric withstand voltage	750 Vrms
Center / Outer contact resistance	6 / 1 mΩ
Number of insertions	500 cycles min.
Insulation resistance	1,000 MΩ min.
Temperature Range	-65° C to 165° C, -85° F to 329° F



99 Washington Street  
Melrose, MA 02176  
Phone 781-665-1400  
Toll Free 1-800-517-8431

All dimensions are in inches. Tolerances (except noted): .xx = ±.02" (.51 mm), <http://www.testequipmentdepot.com/Pomona/board-mounts/boardmounts.htm>.xxx = ±.001  
Specifications are subject to change without notice. Registered trademarks are the property of their respective companies.  
D2003432 REV 001

Visit us at [www.TestEquipmentDepot.com](http://www.TestEquipmentDepot.com)  
Back to the Pomona 72995 Product Page