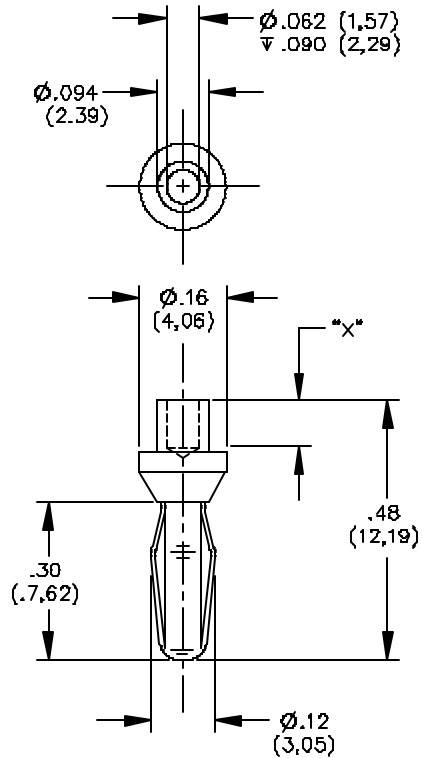


## Model 3268, 3271 & 3272 Miniature Rivet Type Banana Plugs With Swaging Information



**FEATURES:**

- Excellent for riveting to panels or boards.
- Banana features gold plated Beryllium Copper for long insertion life and corrosion resistance.

Model Number:	Rec. Panel Thickness:	“X” Dimension:
<b>3268</b>	.062” (1,57mm)	.094” (2,39mm)
<b>3271</b>	.093” (2,36mm)	.125” (3,18mm)
<b>3272</b>	.125” (3,18mm)	.156” (3,96mm)

**MATERIALS:**

Body: Brass, Gold Plated  
Spring: Beryllium Copper, Gold Plated

**RATINGS:**

Operating Voltage: 2500 VDC  
Current: 5 Amperes Max.

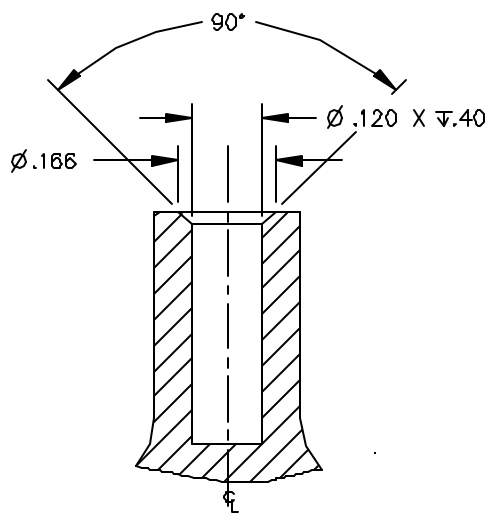
**ORDERING INFORMATION:** Models 3268, 3271, 3272

Sold in packages of 10

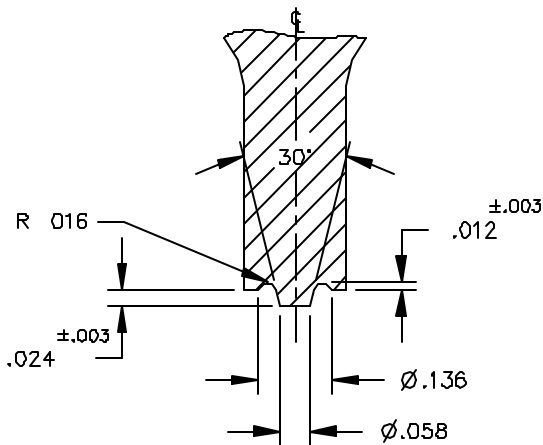
Note: Swage tool is not supplied by Pomona. The recommended swage tool dimensional drawing 3520 is attached for reference.

All dimensions are in inches. Tolerances (except noted): .xx = ±.02” (.51 mm), .xxx = ± .005” (.127 mm).  
All specifications are to the latest revisions. Specifications are subject to change without notice.  
Registered trademarks are the property of their respective companies. Made in USA

## Model 3268, 3271 & 3272 Miniature Rivet Type Banana Plugs With Swaging Information



SECTION B  
SCALE 4:1



SECTION A  
SCALE 4:1

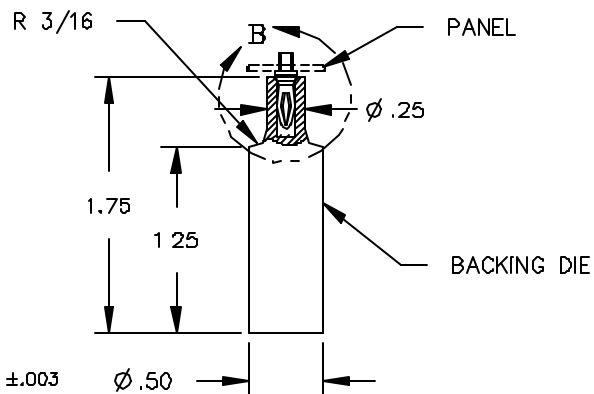
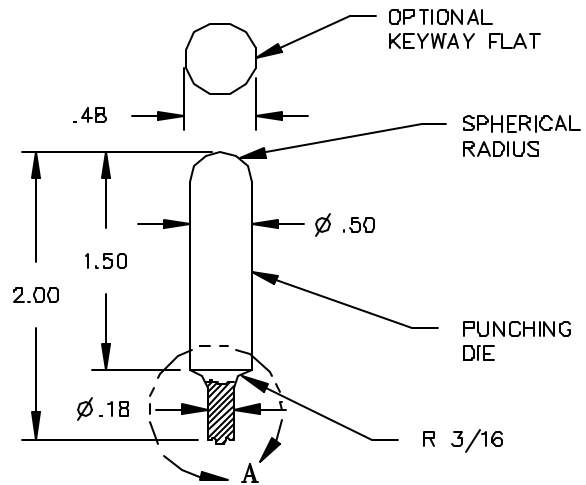
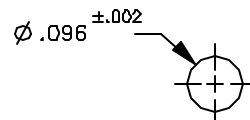


FIG 1  
FULL SCALE



PANEL CUTOUT  
SCALE 4:1

3. SURFACE FINISH:  $\sqrt{63}$  OR FINER FOR SECTIONAL VIEWS A & B.
2. OVERALL DIMENSIONS OF PUNCHING AND BACKING DIES AS SHOWN IN FIG 1 ARE FOR REFERENCE ONLY AND CAN BE CHANGED TO FIT SPECIFIC TOOLING; HOWEVER, DIMENSIONS AS SHOWN IN VIEWS A & B MUST BE MAINTAINED FOR PROPER SWAGING.
1. RECOMMENDED MATERIAL: 4130 CHROMIUM STEEL ALLOY, D2 STEEL OR EQUIVALENT TOOL STEEL, HEAT TREAT TO 60-62RC HARDNESS.

All dimensions are in inches. Tolerances (except noted): .xx =  $\pm 0.02$ " (.51 mm), .xxx =  $\pm 0.005$ " (.127 mm).

All specifications are to the latest revisions. Specifications are subject to change without notice.

Registered trademarks are the property of their respective companies. Made in USA