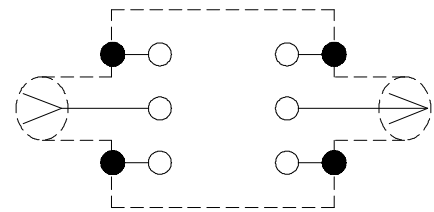
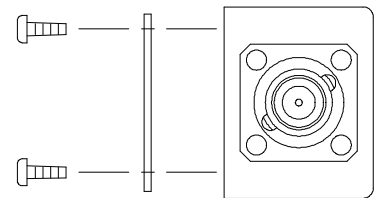
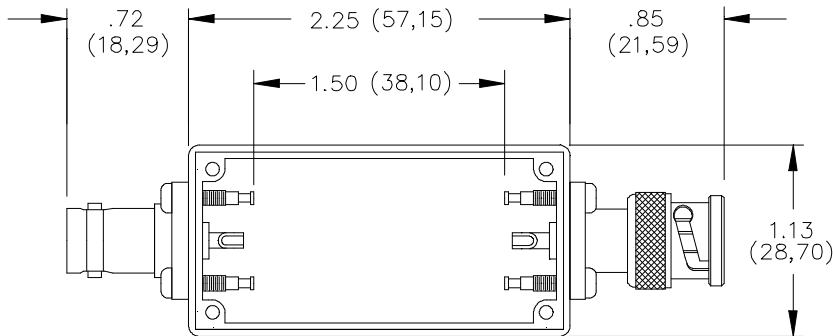


## Model 2391 Size A Aluminum Box With Cover BNC Male/Female



SCHEMATIC

**Connector:**

Body: Tarnish Resistant Plating, Center Contact: Female - Gold Plated Beryllium Copper, Male – Gold Plated Brass

Solder Turret Terminal Screws: Steel

Shielded Housing: Die cast aluminum alloy A380 and A394

Finish: Blue paint per Federal Standard 595. Color No. 25109

Cover: 1.02 (.040) thick aluminum alloy 1100-H14

Finish: Clear anodized.

Screws: Steel 4 each 2-32 x 6.35 Pan Head, self-tapping.

Finish: Blue Zinc plated.

**RATINGS:**

Operating Voltage: Inner conductor/Shield: 500 VRMS Max.

Operating Temperature: -55°C to +150°C

Nominal Impedance: 50 Ohms

**ORDERING INFORMATION:** Model 2391

All dimensions are in inches. Tolerances (except noted): .xx = ±.02" (.51 mm), .xxx = ±.005" (.127 mm).

All specifications are to the latest revisions. Specifications are subject to change without notice.

Registered trademarks are the property of their respective companies. Made in USA