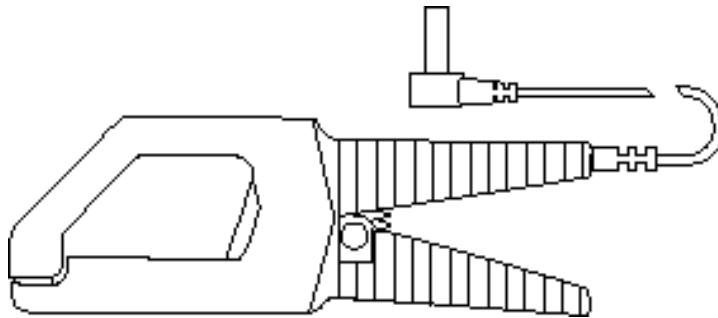


AC Current Probe MD Series Probes

Model MD305

Current:	600 A AC
Ratio:	1000:1
Output:	1 mA/A



ELECTRICAL SPECIFICATIONS

Current Range: 1 to 600 A AC
 Transformation Ratio: 1000:1
 Output Signal: 1 mA AC/A AC
 Accuracy*:

Primary Current	25 A	100 A	250 A; 500 A	600 A*
Accuracy % of Reading	3%	1.5%	1%	1%
Phase Shift	3°	1.5°	1°	1°

* 600 A for 20 mm max

Overload: 700 A for 10 mn

Frequency Range:
 48 to 1000 Hz (error: add 2% to ref.)

Load Impedance:
 5 max noninductive

Open Secondary Voltage:
 Limited to 10 V Peak max

Working Voltage: 600 Vrms

Common Mode Voltage: 600 Vrms

Influence of Adjacent Parallel
 Conductor: < 30 mA/A at 50 Hz

Influence of Conductor in Jaw Opening:
 < 1%

(*Reference conditions: 23°C ±5°K, 20 to 75% RH, external magnetic field < 40 A/ m, no DC component, no external current carrying conductor, test sample centered, 5 load.)

MECHANICAL SPECIFICATIONS

Operating Temperature:
 -5° to 122°F (-15° to 50°C)

Storage Temperature:
 -40° to 185°F (-40° to 85°C)

Temperature Influence:
 <0.1% per 10°K

Altitude:
 Operating: 0 to 2000 m
 Non-operating: 0 to 12,000 m

Jaw Opening: 1.3" (33 mm)

Maximum Conductor Size:
 1.18" (30 mm)

Maximum Bus Bar Size:
 2.48 x 0.20" (63 x 5 mm)

Envelope Protection: IP 20 (IEC 529)

Drop Test: 1.5 m (IEC 68-2-32)

Mechanical Shock: 100 G (IEC 68-2-27)

Vibration: 10/ 55/ 10 Hz, 0.15 mm (IEC 68-2-6)

Polycarbonate Material:
 10% fiberglass charged polycarbonate UL 94 V0

Dimensions:
 2.6 x 7.68 x 1.34" (66 x 195 x 34 mm)

Weight: 14.82 oz (420 g)

Colors: Dark gray handles

Output: Double insulated 5 ft (1.5 m) lead with safety banana plugs

SAFETY SPECIFICATIONS

Electrical:
 Double insulation or reinforced insulation between primary, secondary and outer case of handle per IEC 1010-2-032
 - 600 V Category III, Pollution: 2
 - 300 V Category IV, Pollution: 2

Electromagnetic Compatibility (CE mark):
 EN 50081-1 Class B
 EN 50082-2 Electrostatic discharge IEC 1000-4-2

Radiated field IEC 1000-4-3
 Fast transients IEC 1000-4-4
 Magnetic field at 50/ 60 Hz IEC 1000-4-8

ORDERING INFORMATION	CATALOG NO.
AC Current Probe Model MD305 includes instruction manual	Cat. #1201.36
Accessories	
Banana plug adaptor (to nonrecessed plug)	Cat. #1017.45



Test Equipment Depot
 99 Washington Street
 Melrose, MA 02176-6024

www.testequipmentdepot.com
 800-517-8431
 781-665-0780 FAX